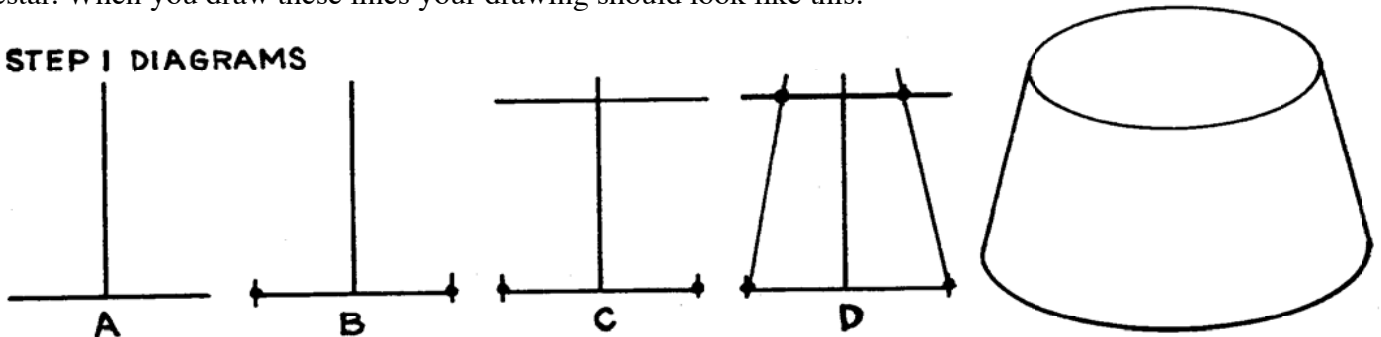


First we will be using information from John W. Lower which he says came from Mills Bros. Circus in 1952. We will be constructing a "Pedestal" for the Bull Act which looks like this.

Step 1. Layout a horizontal line across the page bottom. Layout a line up from the middle of the base line perpendicular to it. Determine diameter of the pedestal and mark off 1/2 of the distance on either side of the vertical line along the base line. Measure up the actual height of the pedestal and draw a horizontal line. Measure along this line 1/2 of the diameter of top of the pedestal on each side of vertical line. By connecting the dots on the base line with the dots on the top horizontal line you have a profile of the pedestal, and by extending the angular lines up to the center vertical line you have the radius for the pattern for laying out the curved lines for side piece of the pedestal. When you draw these lines your drawing should look like this:

STEP 1 DIAGRAMS



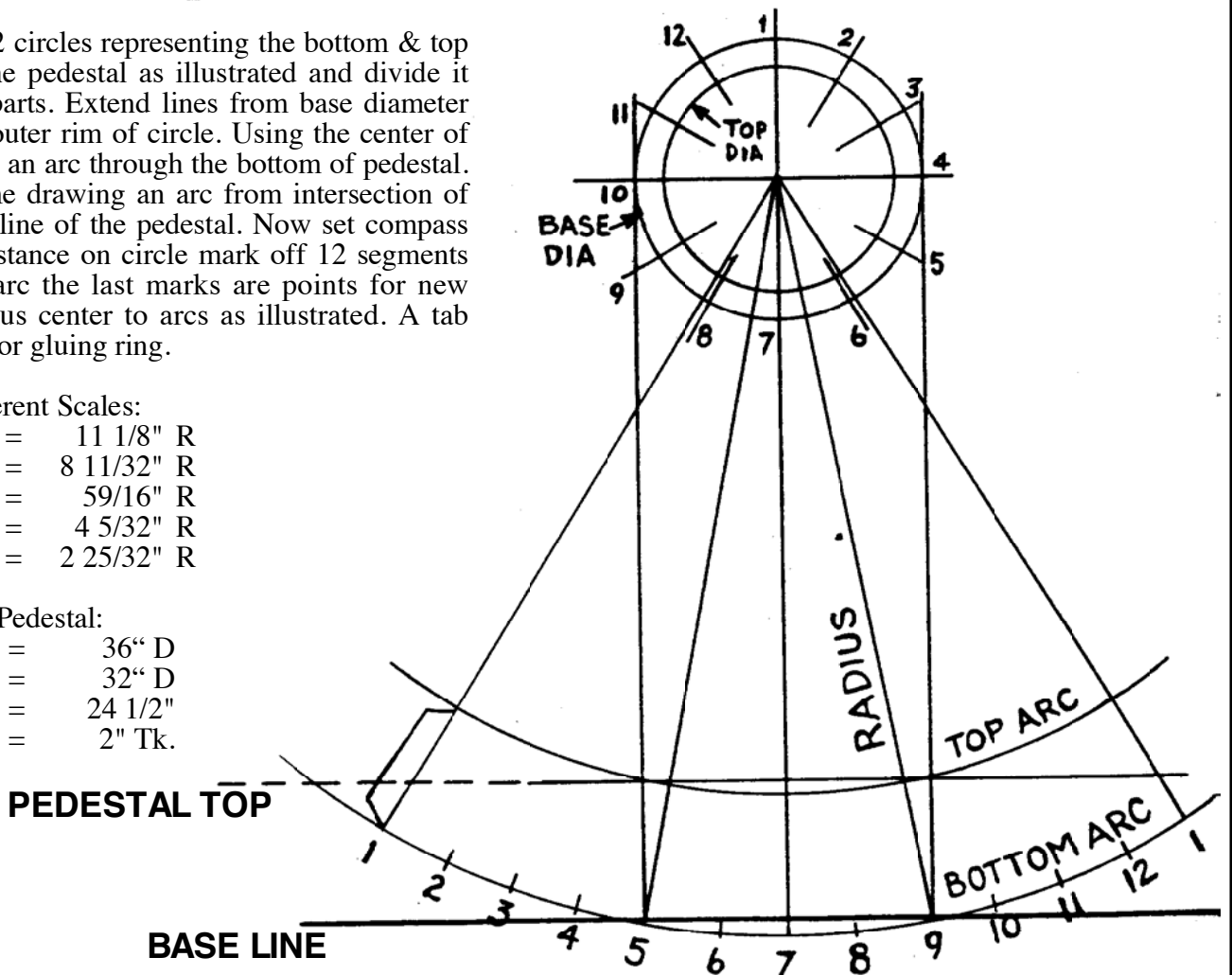
Next draw 2 circles representing the bottom & top diameters of the pedestal as illustrated and divide it into 12 equal parts. Extend lines from base diameter of pedestal to outer rim of circle. Using the center of the radius draw an arc through the bottom of pedestal. Repeat the same drawing an arc from intersection of radius and top line of the pedestal. Now set compass to measured distance on circle mark off 12 segments along bottom arc the last marks are points for new lines from radius center to arcs as illustrated. A tab may be added for gluing ring.

Radius for different Scales:

- 1" Scale = 11 1/8" R
- 3/4" Scale = 8 11/32" R
- 1/2" Scale = 59/16" R
- 3/8" Scale = 4 5/32" R
- 1/4" Scale = 2 25/32" R

Dimensions of Pedestal:

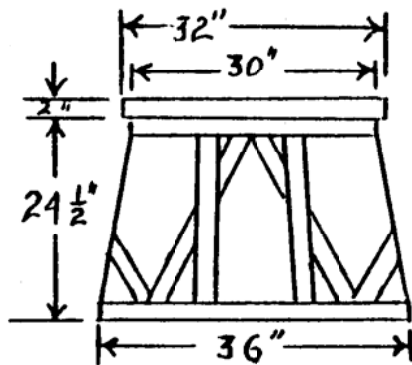
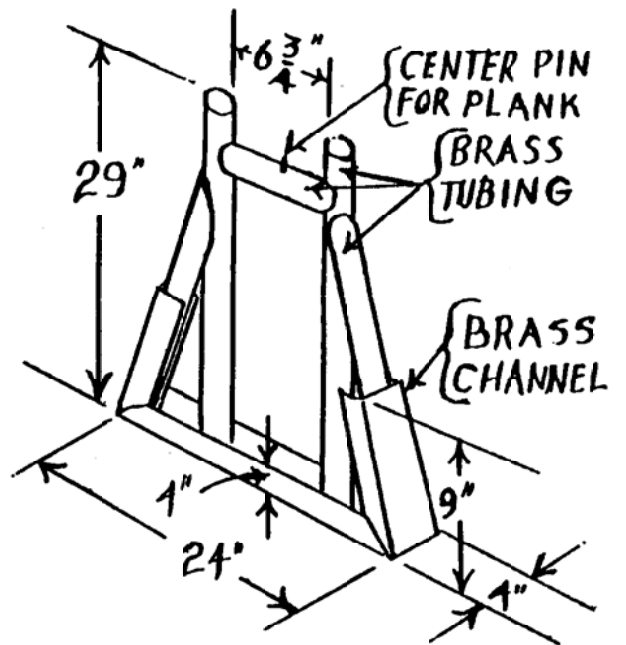
- Base = 36" D
- Top = 32" D
- Height = 24 1/2"
- Wooden Top = 2" Tk.



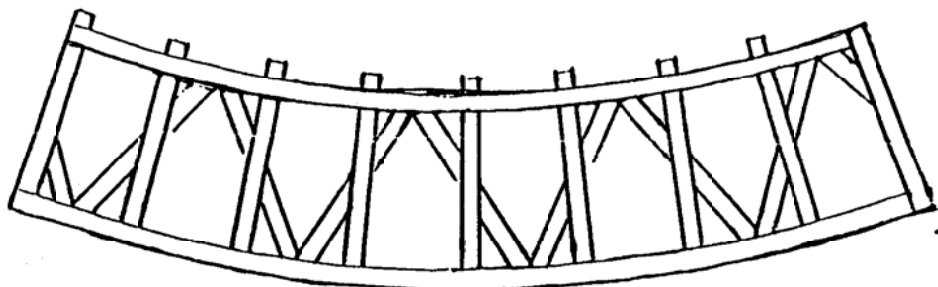
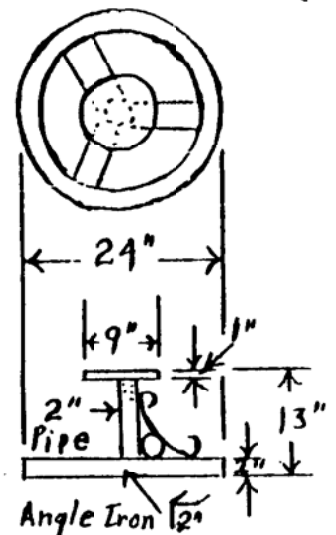
Circus Lot Props			
Bull Act Pedestals & Walking Plank			
DATE: 1952	SCALE: None	SCANNED & REVISED: 10/06/2005	Pg 1 of 2
Circus Model Builders			
Drawn By David Hall CMB 1055 & John Lower			DRAWING NUMBER #0344

I believe the drawings are self explanatory. Please note that John Lower has given us the full size dimensions and some in scale such as radiuses. The drawings of the large pedestal and the pattern shown was done by John in paper for a smaller scale; in Brass for larger scales. These are the things that make a show a CIRCUS. I hope you enjoy working on these little projects.

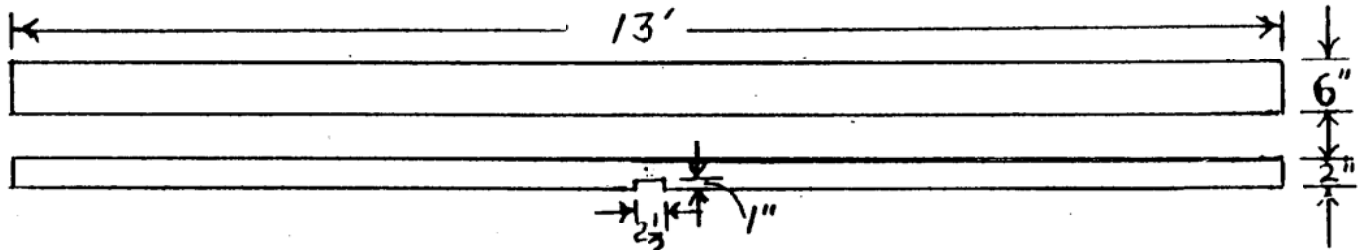
WALKING PLANK CENTER JACK



SINGLE PEDESTAL



WALKING PLANK



PLANK RESTS ON 2 PEDESTALS and JACK

Circus Lot Props Bull Act Pedestals & Walking Plank