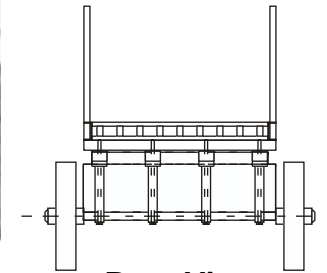


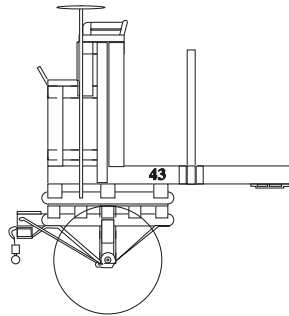
**Front View**



Photo 1 - RBBB big top center pole wagon No. 43 in 1932 after being unloaded. Note spare pole on the wagon. [Carver Collection]



**Rear View**



**Side View**

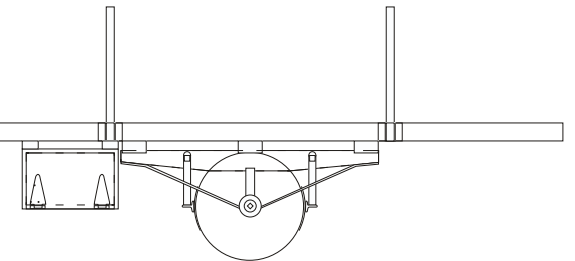


Photo 2 - Unloading big top center poles from pole wagon on RBBB in 1932. Note how the front of the wagon is tipped over to allow the center poles to be rolled off the wagon. [Carver Collection]

**Note from the Superintendent of Plans**

Due to the problems with the master drawings for this plan, this plan has been completely re-drawn. The current plan is based on the data from Mr. Woodward's original drawings and the photographs that have been included. Every effort has been made to provide as accurate a drawing as possible. Please use the photos to assist in building any model of this wagon.

Michael Dreiling, Supt. of Plans, 2003

**RBBB**

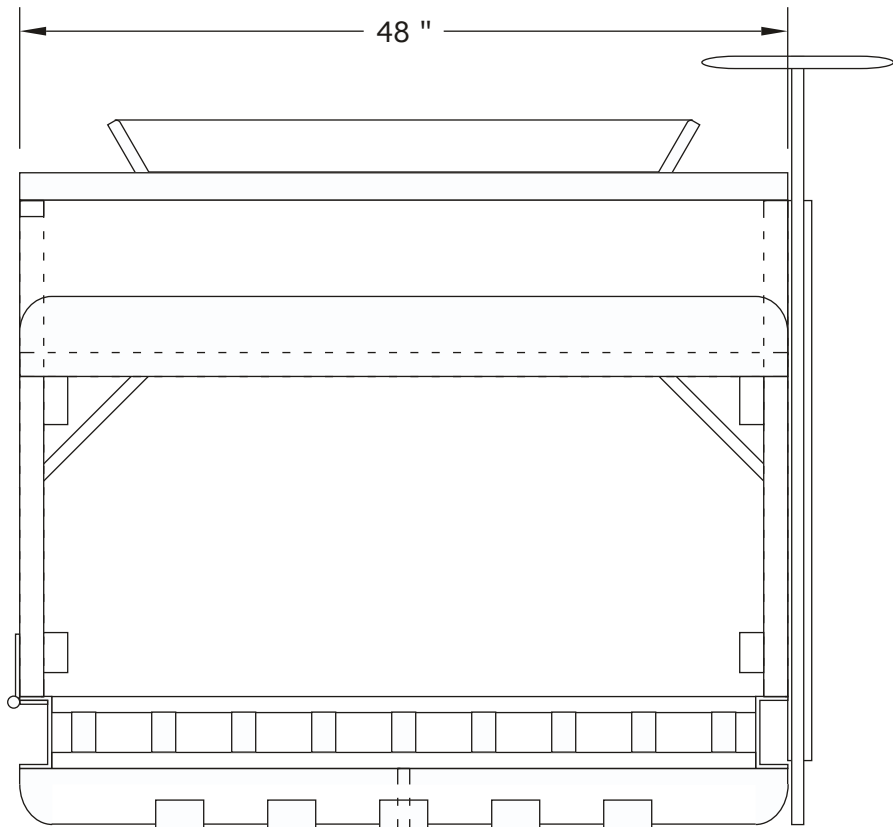
**Big Top Pole Wagon No. 43**

DATE: 1932	SCALE: 1/4" = 1'	SCANNED & REVISED: 01/18/03	Pg 1 of 6
------------	------------------	--------------------------------	-----------

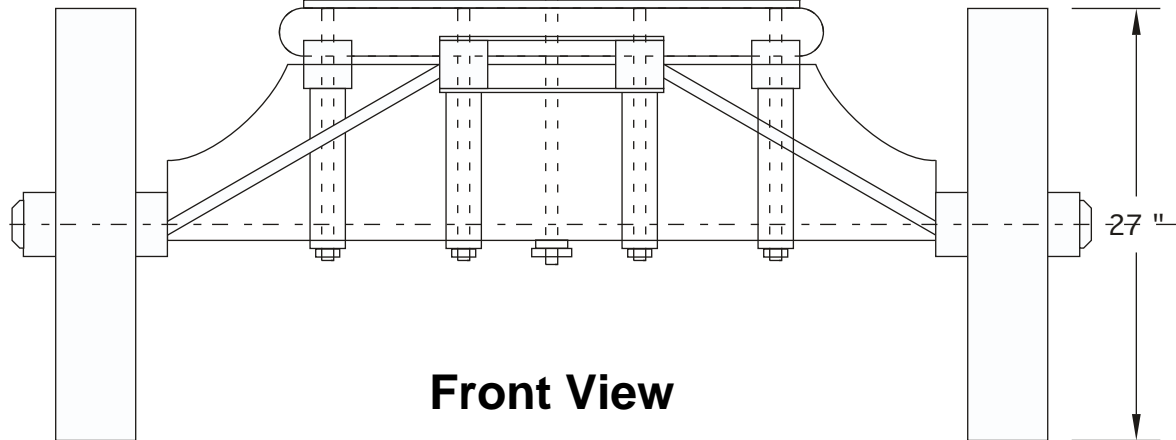
**Circus Model Builders**

Drawn By  
S. Woodward/M. Dreiling

DRAWING NUMBER  
**#0036**

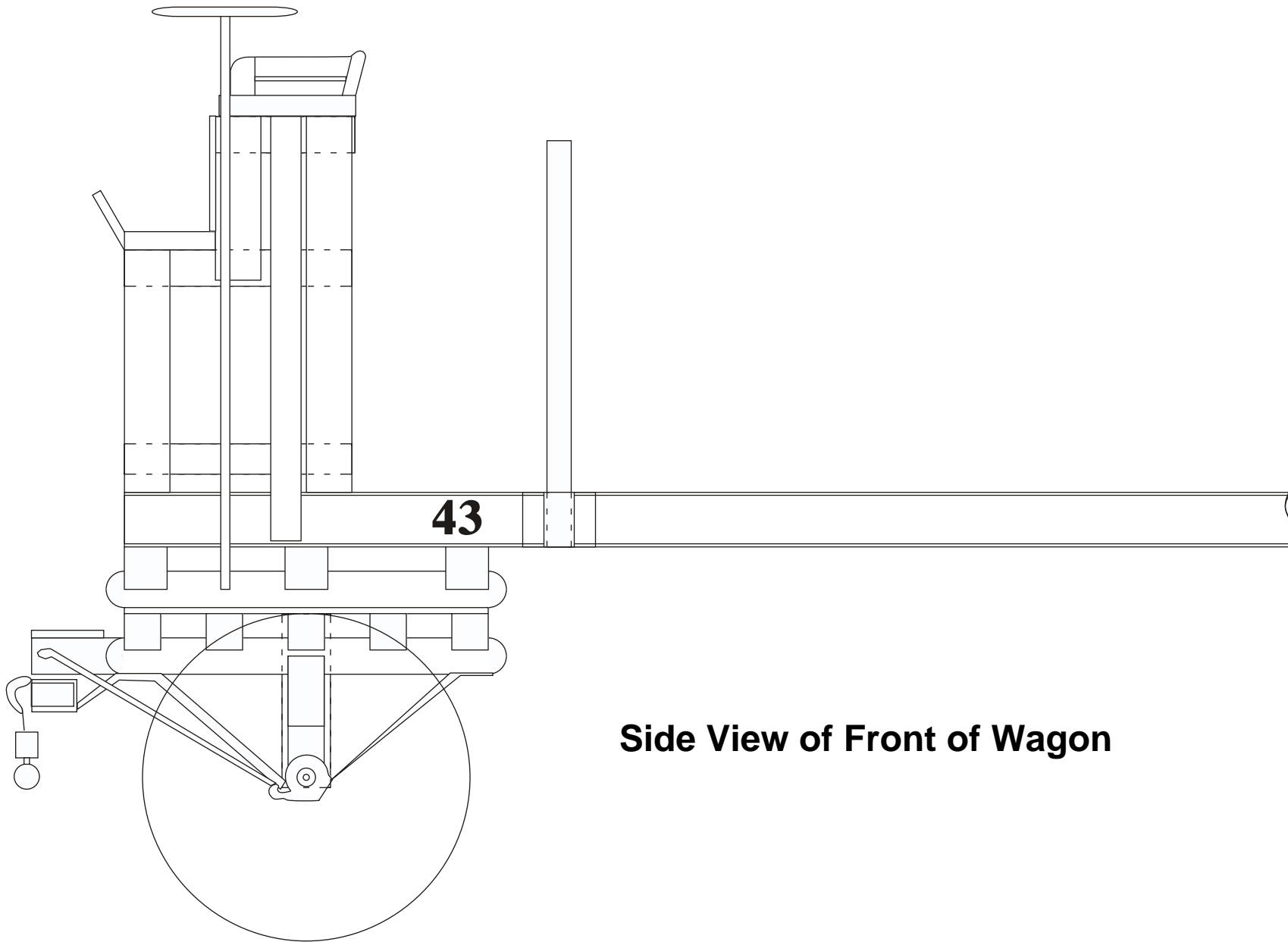


Enlargement of the front of Pole Wagon No. 43.



**Front View**

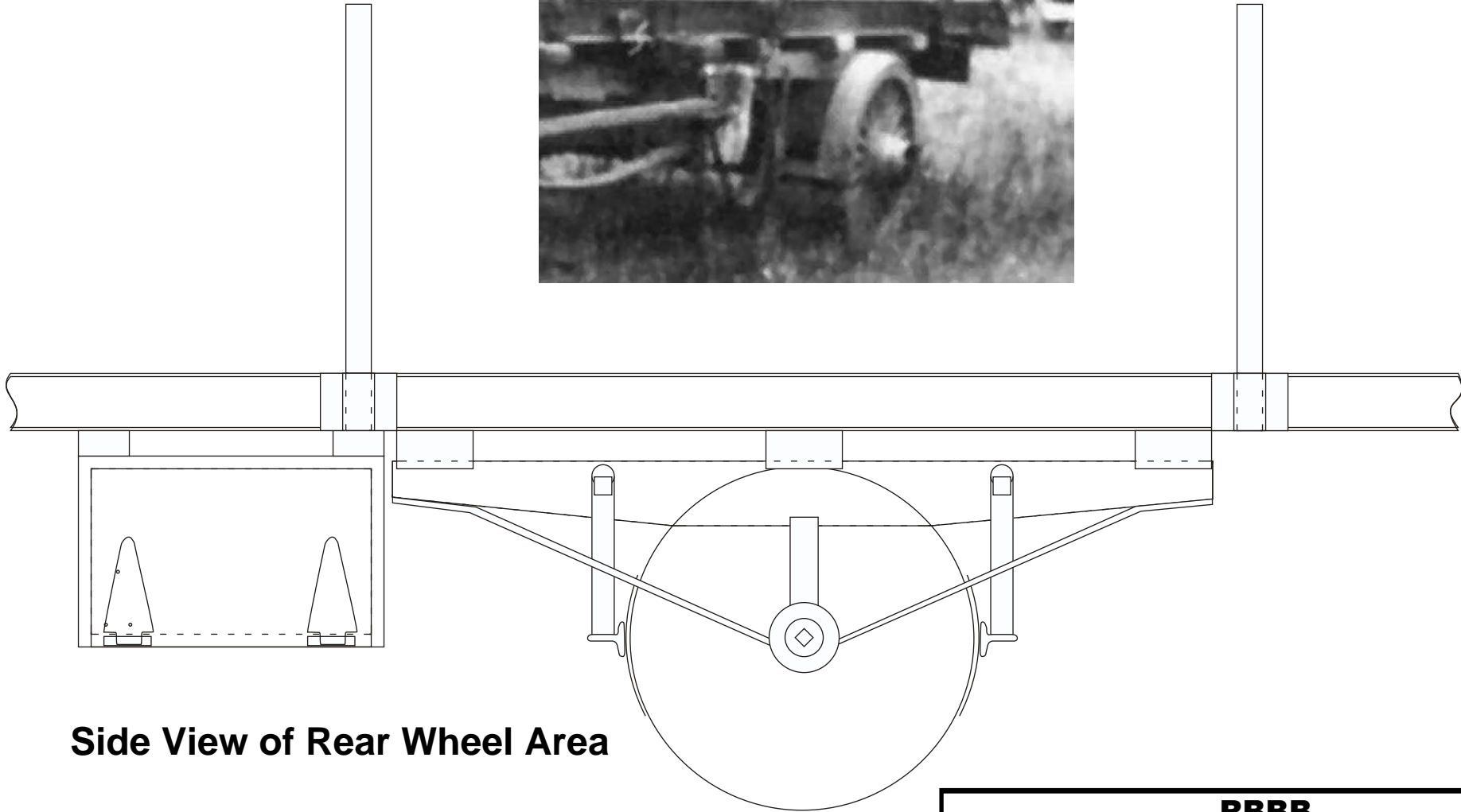
<b>RBBB</b>			
<b>Big Top Pole Wagon No. 43</b>			
Pg 2 of 6	SCALE: 1" = 1'	SCANNED & REVISED: 10/10/03	DRAWING NUMBER <b>#0036</b>



**Side View of Front of Wagon**

<b>RBBB</b>			
<b>Big Top Pole Wagon No. 43</b>			
Pg 3 of 6	SCALE: 1" = 1'	SCANNED & REVISED: 10/10/03	DRAWING NUMBER <b>#0036</b>

Enlargement of rear  
of wagon



**Side View of Rear Wheel Area**

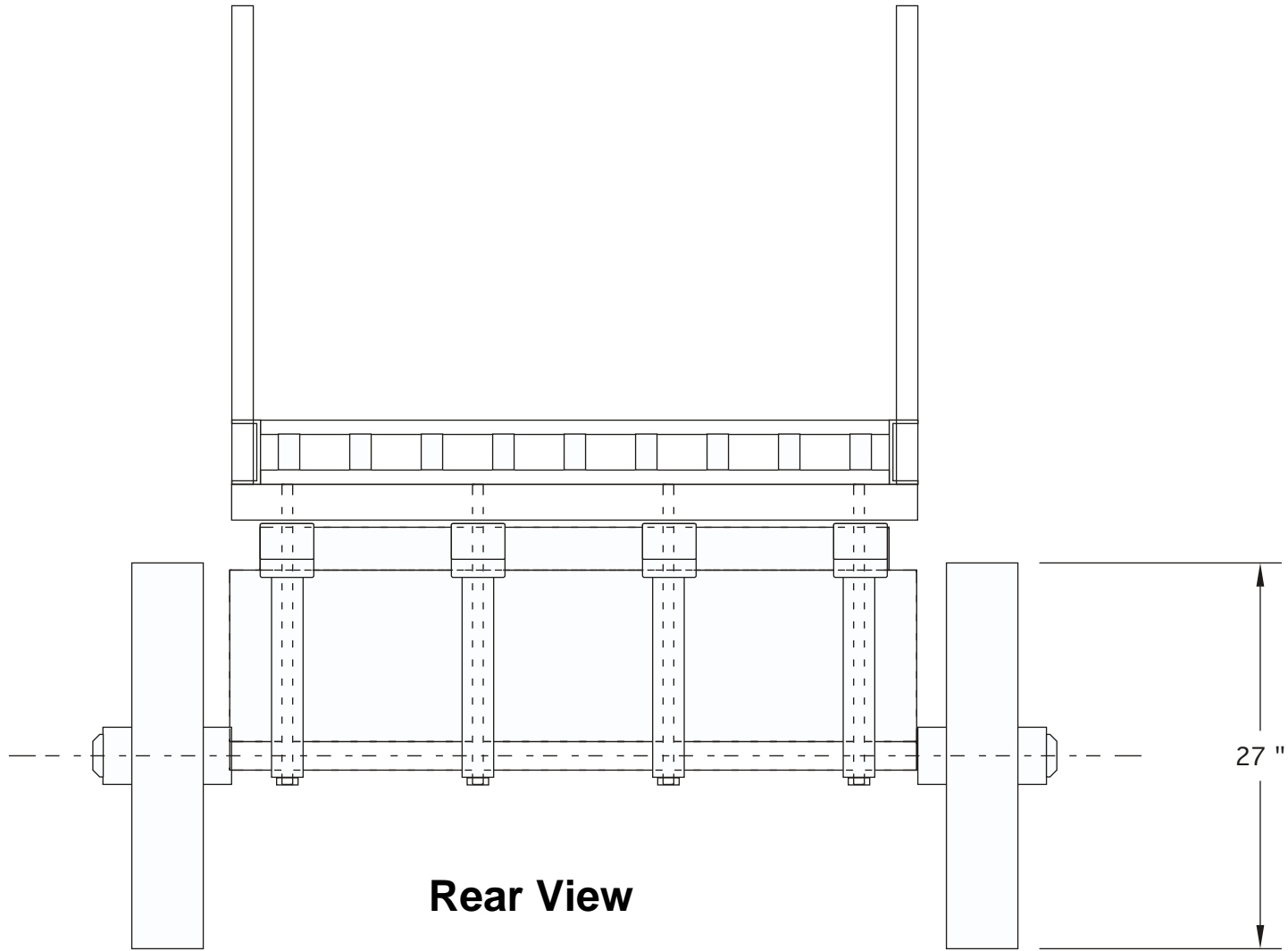
**RBBB**  
**Big Top Pole Wagon No. 43**

Pg 4 of 6

SCALE: 1" = 1'

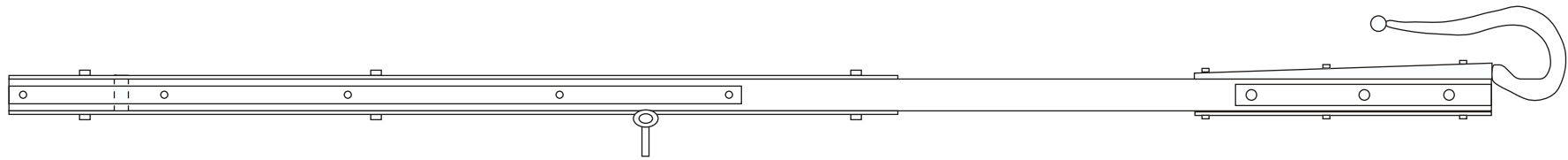
SCANNED & REVISED:  
10/13/03

DRAWING NUMBER  
**#0036**

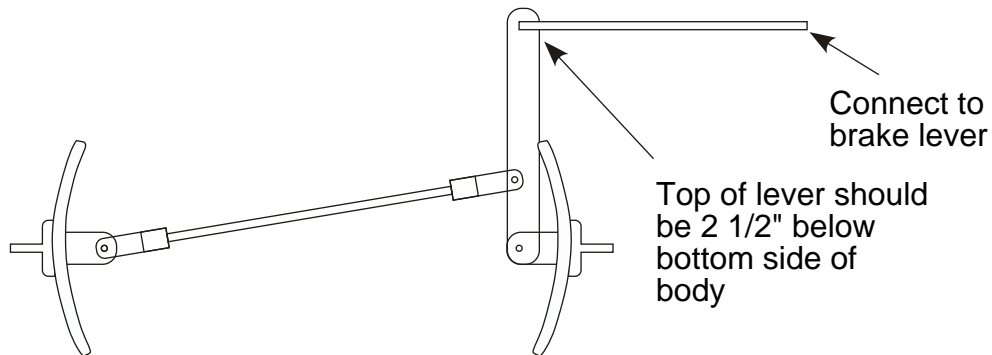
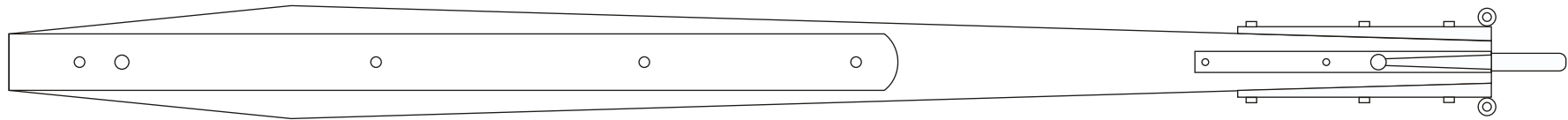


**Rear View**

<b>RBBB</b>			
<b>Big Top Pole Wagon No. 43</b>			
Pg 5 of 6	SCALE: 1" = 1'	SCANNED & REVISED: 10/13/03	DRAWING NUMBER <b>#0036</b>



**Wagon Tongue**



**Brake Linkage**

<b>RBBB</b>			
<b>Big Top Pole Wagon No. 43</b>			
Pg 6 of 6	SCALE: 1" = 1'	SCANNED & REVISED: 10/14/03	DRAWING NUMBER <b>#0036</b>