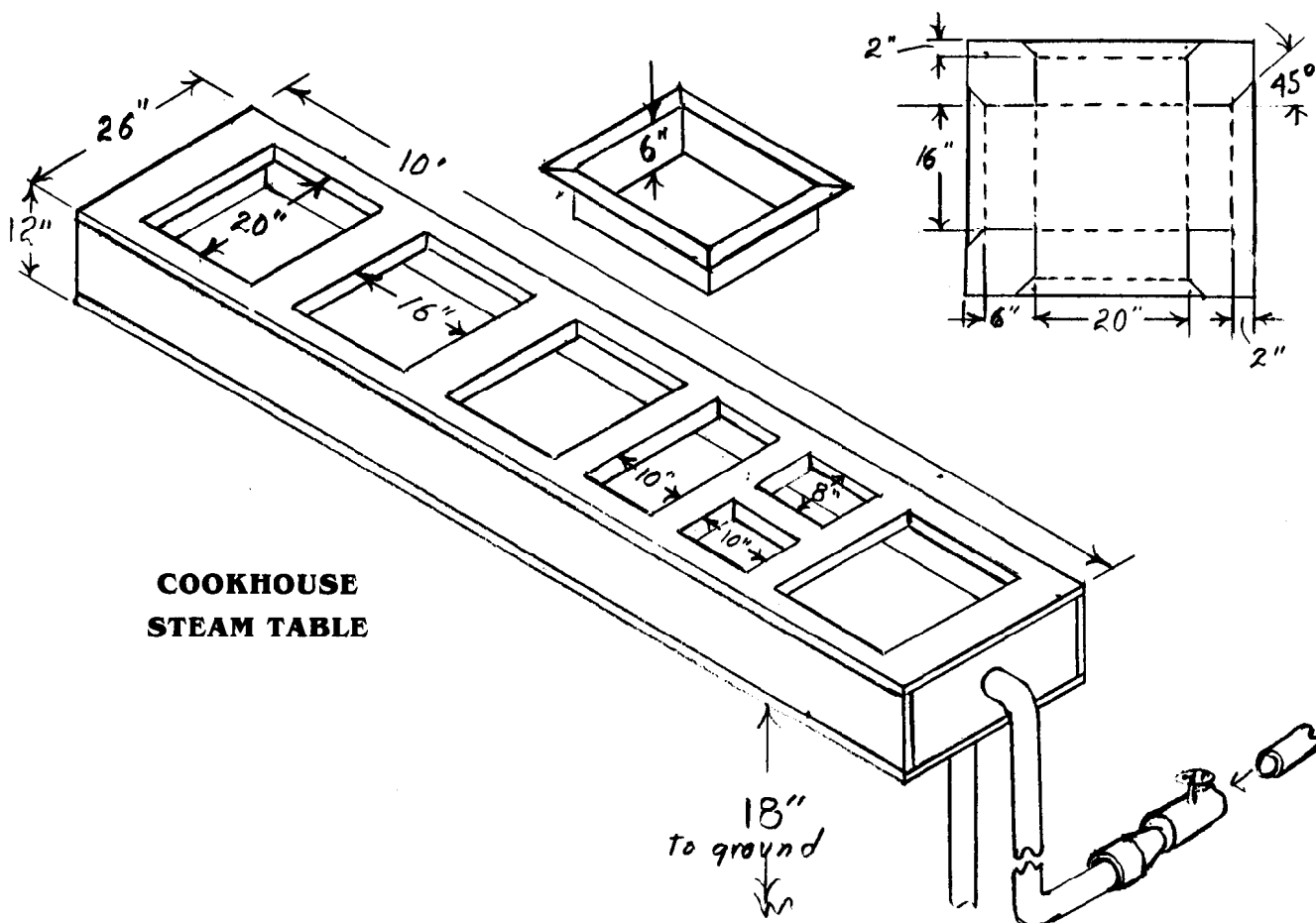


Once again we are into the Cookhouse with plans for the Steam Table with the pans which fit into the openings. The FOOD which you may choose to put into the pans is up to you. Food substances may be made out of the following "stuff": Plastic Wood, shaped and painted, wood dowel, sliced and painted for tomatoes or biscuits, etc.; plaster of paris, shaped and painted (mashed potatoes); sawdust glued in pan and painted (spinach); wadded up ball of paper or small pieces of wrinkled tissue for the lettuce. I am sure when you put your mind to looking at real food you can come up with other substances for food.

I hope the drawings are self-explanatory. I have provided dimensions for the box with steam hose connections and dimensions of openings for pans of food. There is also the pattern for laying out the pans. The pans I use are made from metal and soldered, however you can make them of card stock. When folding, scribe dotted line for lips on top and scribe dotted lines for the pan bottom on the opposite side.

STEAM TABLE PAN LAYOUT



**COOKHOUSE
STEAM TABLE**

Circus Lot Props Cookhouse Steam Table			
DATE: None	SCALE: None	SCANNED & REVISED: 04/20/04	Pg 1 of 1
Circus Model Builders			DRAWING NUMBER
Drawn By David L. Hall, CMB 1055			#0365