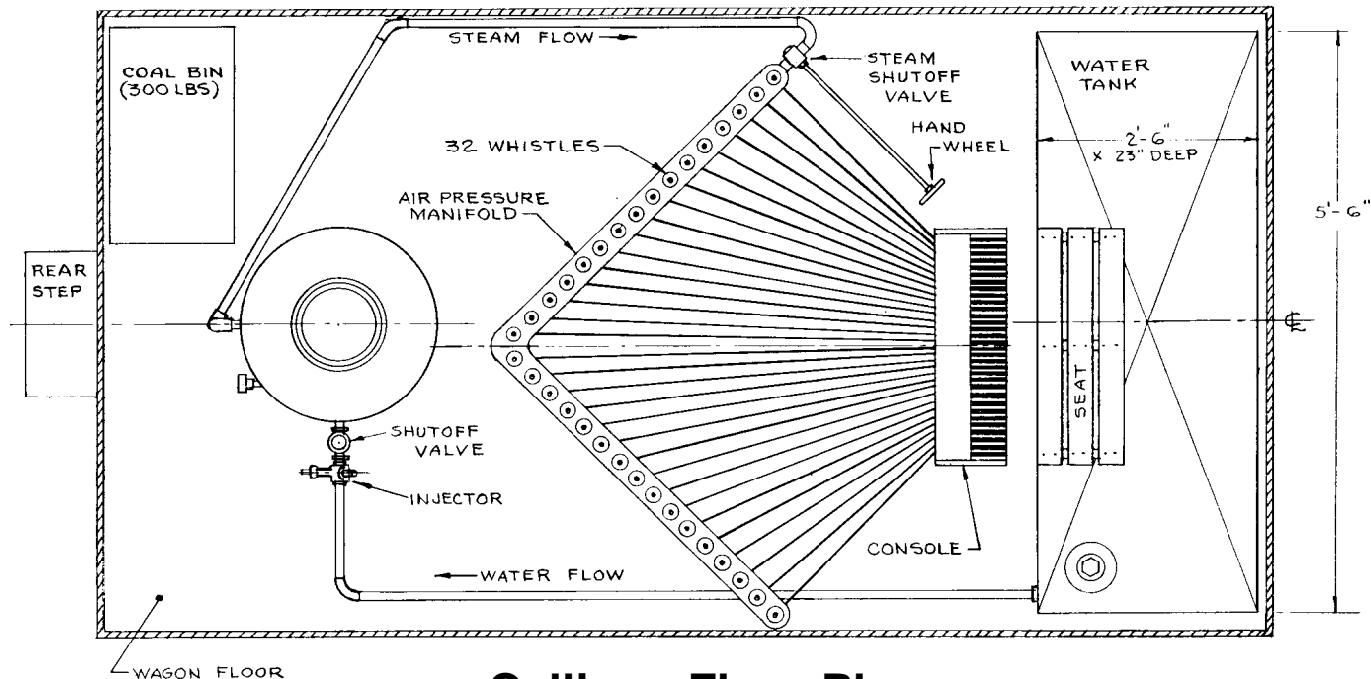
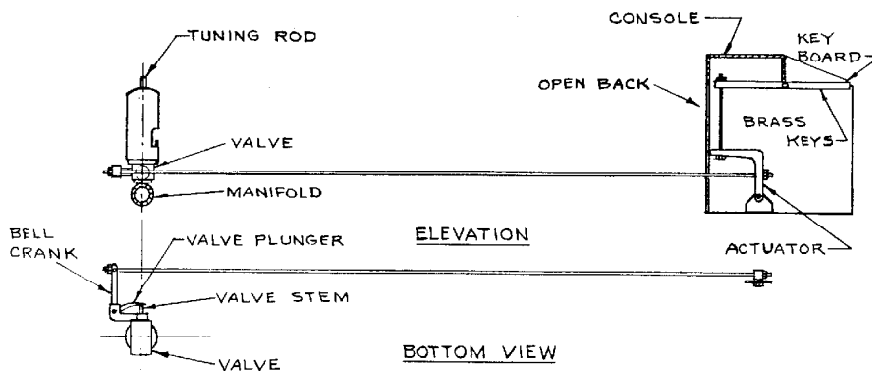


The following drawings by Mr. Robinson show the basic floor plan, boiler and schematic calliope arrangement used in the steam calliope of the past and the few that remain today. From these plans you can build a steam calliope into your scale model calliope regardless of the scale in which you plan to build. Mr. Robinson's sketches are from the March-April 1978 LCW.



Calliope Floor Plan

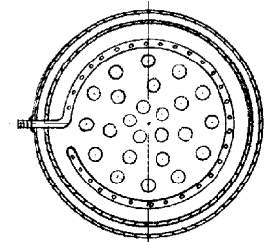


Schematic Detail of a Calliope

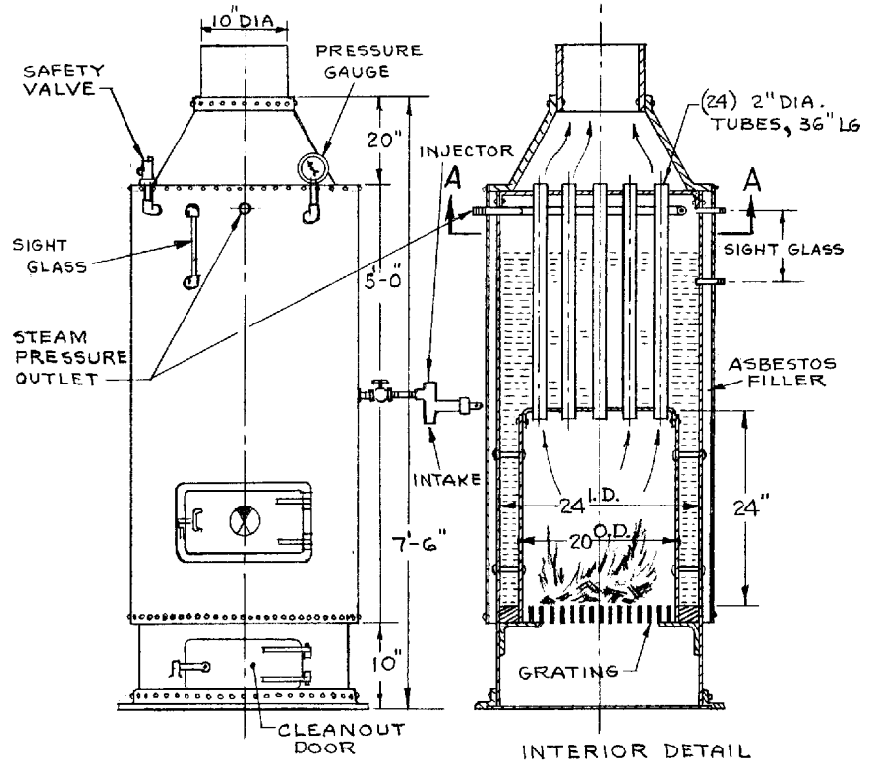
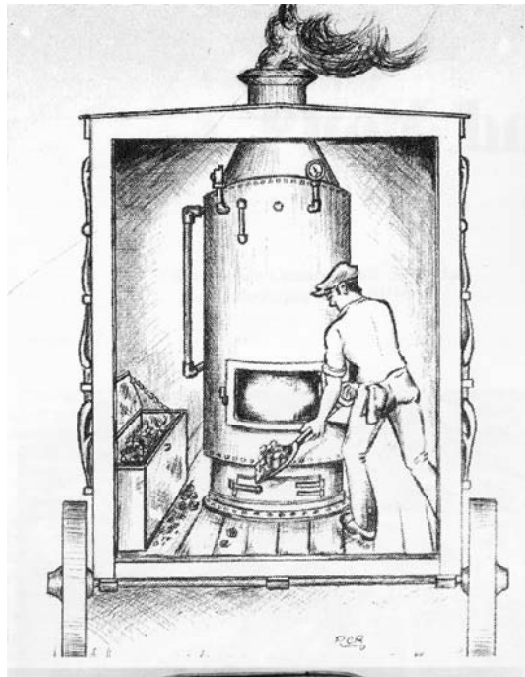
Steam Calliope Layout

DATE: None	SCALE: None	SCANNED & REVISED: 01/29/03	Pg 1 of 2
Circus Model Builders			DRAWING NUMBER
Drawn By Robert C. Robinson, CMB 942			#0209

VERTICAL BOILERS ARE OF MANY SIZES AND DIFFERENT DETAIL. BELOW IS A GENERAL CONCEPT. DIMENSIONS ARE APPROXIMATE. HEIGHT OF BOILER MOUNTED ON WAGON MUST NOT EXCEED 10FT ABOVE THE GROUND.



SECTION A-A



Calliope Boiler



Circus World Museums America Calliope in Milwaukee's Great Circus parade in July 2002. [Mike Dreiling Photo]

Steam Calliope Layout

Pg 2 of 2	SCALE: None	SCANNED & REVISED: 01/29/03	DRAWING NUMBER #0209
-----------	-------------	--------------------------------	--------------------------------