

**Side View**

**Notes:**

Shafts, Wheels - Red  
 Running Gear - Red with Yellow Striping  
 Body - Blue  
 Re-drawn by Superintendent of Plans  
 based on original drawings 1/19/2003.

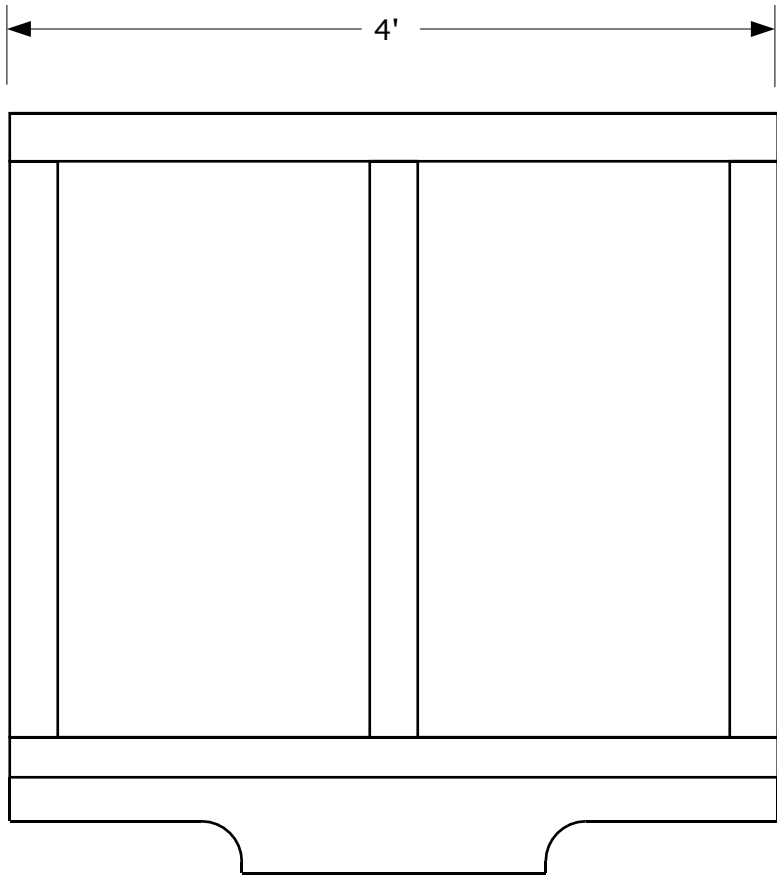
**Ringling Brothers  
 Stake Wagon**

DATE: Unknown	SCALE: 1/2" = 1'	SCANNED & REVISED: 01/19/03	Pg 1 of 2
---------------	------------------	--------------------------------	-----------

**Circus Model Builders**

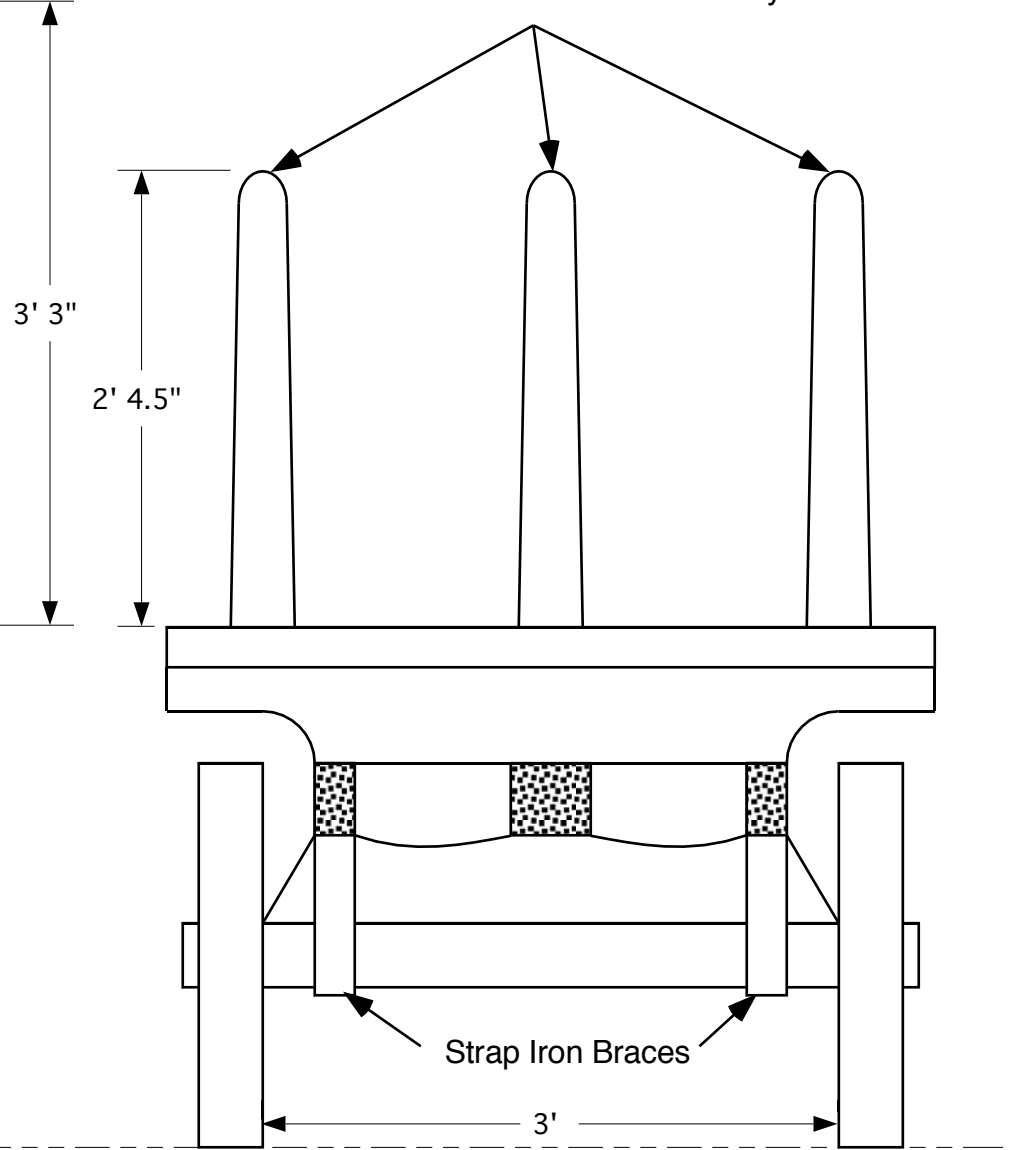
Drawn By  
 S. Woodward & F. Updegrave

DRAWING NUMBER  
**#0112**



**Front View**

Three Stakes Fastened Permanently



**Rear View**

**Ringling Brothers  
Stake Wagon**

Pg 2 of 2

SCALE: 1/2" = 1'

SCANNED & REVISED:  
01/19/03

DRAWING NUMBER

**#0112**